



Datenblatt - Fiche technique - Data sheet

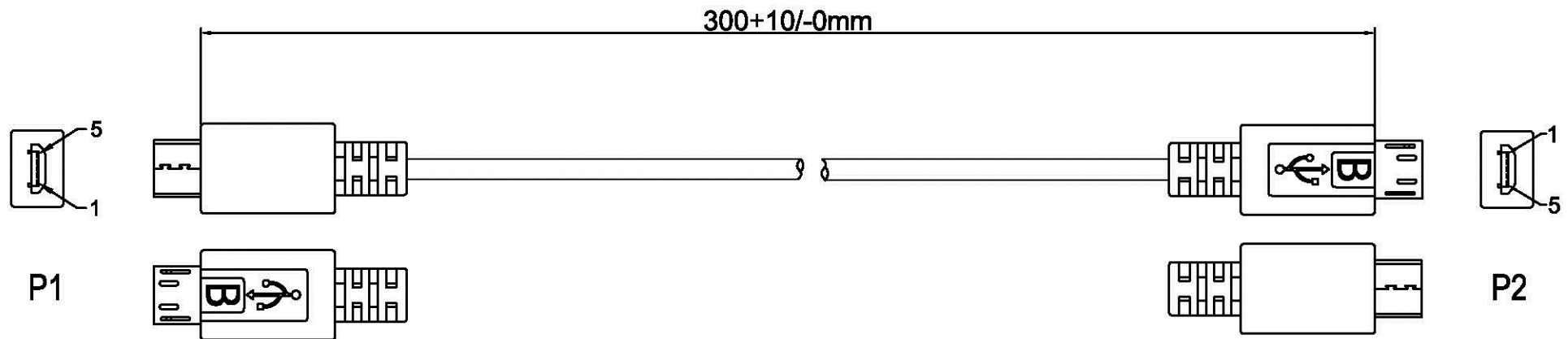
11.99.8307



VALUE USB 2.0 Ladekabel, Micro B – Micro B, ST/ST, 0,3m

VALUE Câble chargeur USB 2.0, Micro B – Micro B, M/M, 0,3m

VALUE USB 2.0 Charging Cable, Micro B – Micro B, M/M, 0.3m



WIRE ADDRESS

P1	P2
1	1
2	NC (not connected)
3	NC (not connected)
4+5	5
SHELL	SHELL

NOTE:

1. CABLE: UL2725 28#*1P+28#2C+AL+B OD:3.5mm WHITE COLOR PVC JACKET
 2. CONNECTOR: MICRO USB BM*2PCS INSULATION:BLACK SHELL:NICKEL PLATED
 3. OUTER MOLD: 45P PVC
 4. OPEN/SHORT TEST: 100% TEST
- INSULATION: MIN. 5M

ITEM NO.	11.99.8307	Draw	F16	Date	2014.12.12
DESC.	VALUE USB 2.0 Charging Cable, Micro B M/M, white	Check		Date	
Original NO.	Unit(mm)	Approval		Date	



D		
C		
B		
VER.A	REVISE	Date